



Agenda

- **Troubleshooting**
- **New features**

315
0912_04F9_c3 © 1999, Cisco Systems, Inc.

www.cisco.com

3

Troubleshooting

- **Neighbor stability**
- **Stuck-in-active routes**
- **High CPU**
- **Troubleshooting tools**

315
0912_04F9_c3 © 1999, Cisco Systems, Inc.

www.cisco.com

4

Neighbor Process—Review

- **Multicast hellos**
224.0.0.10
- **Neighbor timers**
Hello Interval—5 or 60 sec.
Hold time—15 or 180 sec.

315
0912_04F9_c3

© 1999, Cisco Systems, Inc.

www.cisco.com

5

Neighbor Process—Review

```
RTRA#show ip eigrp neighbors
```

```
IP-EIGRP neighbors for process 1
```

H	Address	Interface	Hold (sec)	Uptime	SRTT (ms)	RTO	Q Cnt	Seq Num
2	10.1.1.1	Et0	12	6d16h	20	200	0	233
1	10.1.4.3	Et1	13	2w2d	87	522	0	452
0	10.1.4.2	Et1	10	2w2d	85	510	0	314



315
0912_04F9_c3

© 1999, Cisco Systems, Inc.

www.cisco.com

6

Common Neighbor Stability Problems

- **Physical link up/down**
- **Hold timer expiration**
- **Retry limit exceeded**
- **Manual changes (sort of)**
- **Stuck-in-active routes**

315
0912_04F9_c3

© 1999, Cisco Systems, Inc.

www.cisco.com

7

Physical Link Up/Down

- **Interface reports the link down to EIGRP**
- **EIGRP takes down the neighbors through this interface**
- **Look in the logs for line up/down**

315
0912_04F9_c3

© 1999, Cisco Systems, Inc.

www.cisco.com

8

Hold Timer Expiration

- Hold time passed in Hello packet
- If hold time expired, EIGRP packet not seen for hold time
- Usually, means multicast Hellos are missed
- Typically caused by congestion or physical errors

315
0912_04F9_c3

© 1999, Cisco Systems, Inc.

www.cisco.com

9

Retry Limit Exceeded

- Reliable packet was not acknowledged
- Packet retransmitted based on RTO (6 X SRTT)
Exponential backoff
Max. RTO of 5000 ms, min of 200 ms

315
0912_04F9_c3

© 1999, Cisco Systems, Inc.

www.cisco.com

10

Retry Limit Exceeded (Cont.)

- **Actual timeout is 16 retransmits or hold time, whichever is longer**
16 retransmits takes between 50 seconds and 80 seconds
For low-speed NBMA, holdtime is the deciding factor

315
0912_04F9_c3

© 1999, Cisco Systems, Inc.

www.cisco.com

11

Retry Limit Exceeded (Cont.)

```
RTRA#show ip eigrp neighbors
IP-EIGRP neighbors for process 1
```

H	Address	Interface	Hold (sec)	Uptime	SRTT (ms)	RTO	Q Cnt	Seq Num
2	10.1.1.1	Et0	12	6d16h	20	200	0	233
1	10.1.4.3	Et1	13	2w2d	87	522	0	452
0	10.1.4.2	Et1	10	2w2d	85	510	0	314

315
0912_04F9_c3

© 1999, Cisco Systems, Inc.

www.cisco.com

12

Manual Changes (Sort Of)

- **MTU changed**
- **Summary changed**
- **Route filter changed**

315
0912_04F9_c3

© 1999, Cisco Systems, Inc.

www.cisco.com

13

Neighbor Stability Problems (Cont.)

- **Stuck-in-active routes**
Often very complex problems
Will be covered in later section

315
0912_04F9_c3

© 1999, Cisco Systems, Inc.

www.cisco.com

14

Troubleshooting Tools for Neighbor Problems

RouterA#config terminal

Enter configuration commands, one per line. End with CNTL/Z.

RouterA(config) #router eigrp 1

RouterA(config-router) #**eigrp log-neighbor-changes**

RouterA(config-router) #logging buffered 10000

RouterA(config) #service timestamps log datetime msec

RouterA(config) #^Z

RouterA#

Log-Neighbor-Changes Messages

Neighbor 10.1.1.1 (Ethernet0) is down: **peer restarted**

Neighbor 10.1.1.1 (Ethernet0) is up: **new adjacency**

Neighbor 10.1.1.1 (Ethernet0) is down: **holding time expired**

Neighbor 10.1.1.1 (Ethernet0) is down: **retry limit exceeded**

Neighbor 10.1.1.1 (Ethernet0) is down: **route filter changed**

Neighbor 10.1.1.1 (Ethernet0) is down: **interface delay changed**

Neighbor 10.1.1.1 (Ethernet0) is down: **interface bandwidth changed**

Others, but not often...

Troubleshooting Tools for Neighbor Problems (Cont.)

```
rp-esc-2621b#debug eigrp packet hello
```

```
EIGRP Packets debugging is on (HELLO)
```

```
*Mar 16 19:08:38.521: EIGRP: Sending HELLO on Serial1/1
```

```
*Mar 16 19:08:38.521: AS 1, Flags 0x0, Seq 0/0 idbQ 0/0 iibdQ un/rely 0/0
```

```
*Mar 16 19:08:38.869: EIGRP: Received HELLO on Serial1/1 nbr 10.1.6.2
```

```
*Mar 16 19:08:38.869: AS 1, Flags 0x0, Seq 0/0 idbQ 0/0 iibdQ un/rely 0/0
```

```
*Mar 16 19:08:39.081: EIGRP: Sending HELLO on FastEthernet0/0
```

```
*Mar 16 19:08:39.081: AS 1, Fags 0x0, Seq 0/0 idbQ 0/0 iibdQ un/rely 0/0
```

```
*Mar 16 19:08:39.749: EIGRP: Received HELLO on Serial1/2 nbr 10.1.7.2
```

```
*Mar 16 19:08:39.749: AS 1, Flags 0x0, Seq 0/0 idbQ 0/0 iibdQ un/rely 0/0
```

```
*Mar 16 19:08:40.973: EIGRP: Sending HELLO on FastEthernet0/1
```

```
*Mar 16 19:08:40.973: AS 1, Flags 0x0, Seq 0/0 idbQ 0/0 iibdQ un/rely 0/0
```

```
*Mar 16 19:08:43.409: EIGRP: Sending HELLO on Serial1/1
```

```
*Mar 16 19:08:43.409: AS 1, Flags 0x0, Seq 0/0 idbQ 0/0 iibdQ un/rely 0/0
```

315
0912_04F9_c3

© 1999, Cisco Systems, Inc.

www.cisco.com

17

Unusual Neighbor Problems

- Unidirectional links
- Mismatched masks
- Mismatch of primary/secondary addresses

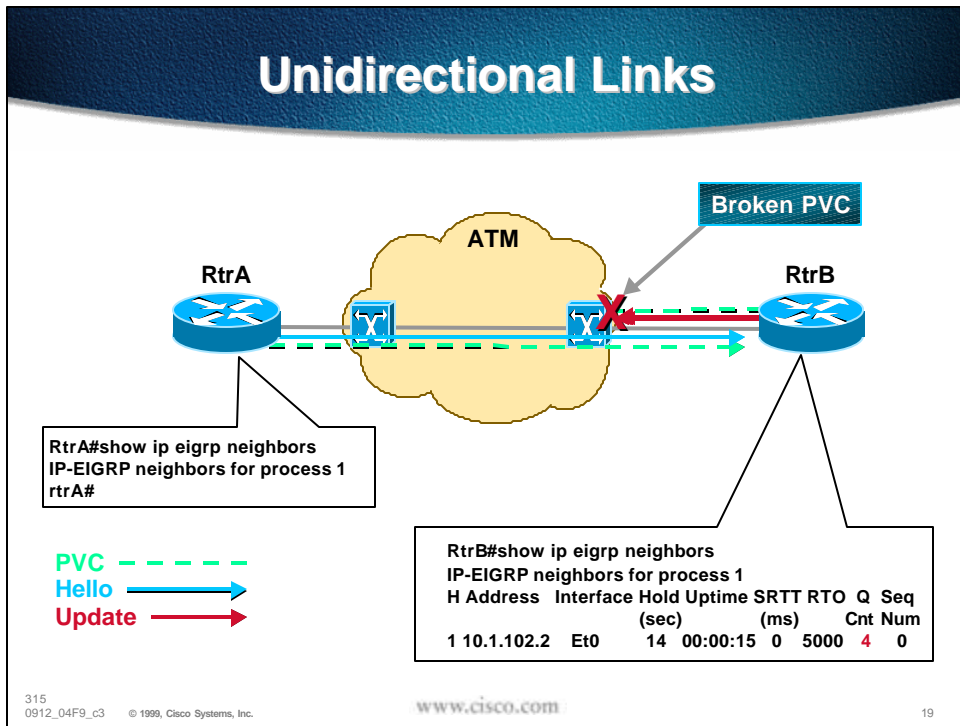
315
0912_04F9_c3

© 1999, Cisco Systems, Inc.

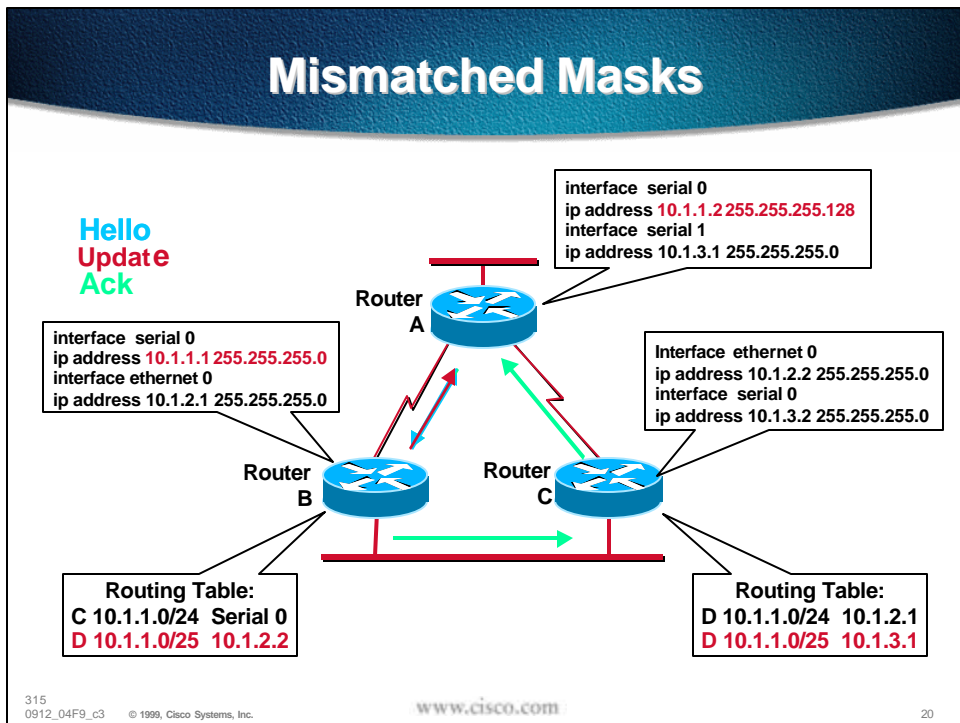
www.cisco.com

18

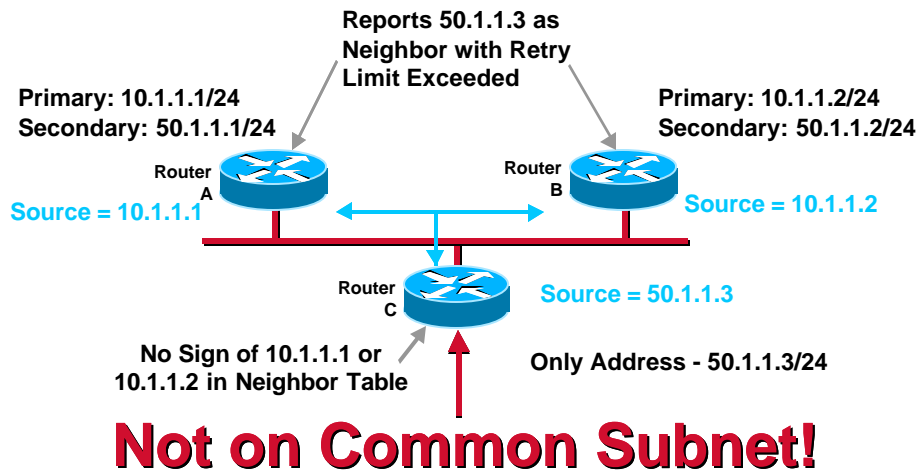
Unidirectional Links



Mismatched Masks



Primary/Secondary Mismatch



315
0912_04F9_c3

© 1999, Cisco Systems, Inc.

www.cisco.com

21

Troubleshooting

- Neighbor relationship
- **Stuck-in-active routes**
- High CPU
- Troubleshooting tools

315
0912_04F9_c3

© 1999, Cisco Systems, Inc.

www.cisco.com

22

Stuck-In-Active Routes (SIA)

```
%DUAL-3-SIA: Route 10.64.5.0 255.255.255.192  
stuck-in-active state in IP-EIGRP 100. Cleaning up
```

- Always indicates at least two problems
- Two parts—Stuck and Active

315
0912_04F9_c3

© 1999, Cisco Systems, Inc.

www.cisco.com

23

Active Process

- Normal process for resolving network changes
- Normal (up) state is **passive**
- Route “active” if lost and no other successor or feasible successor

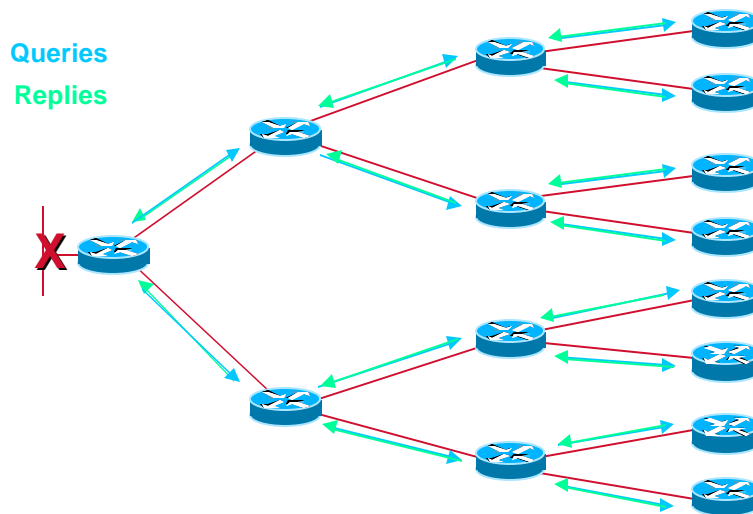
315
0912_04F9_c3

© 1999, Cisco Systems, Inc.

www.cisco.com

24

Active Process (Cont.)



315
0912_04F9_c3

© 1999, Cisco Systems, Inc.

www.cisco.com

25

Active Process (Cont.)

- **Query process stops when:**
 - All queries are answered
 - End of network reached
 - End of the autonomous system reached (sort of)
 - The lost component is unknown

315
0912_04F9_c3

© 1999, Cisco Systems, Inc.

www.cisco.com

26

Stuck-In-Active

- **When a route goes active, timer started**
Approximately 3 to 3-1/2 minutes
- **If timer expires without all queries being answered, “stuck” in the active process**

315
0912_04F9_c3

© 1999, Cisco Systems, Inc.

www.cisco.com

27

Stuck-In-Active (Cont.)

- **On the router where timer expires:**
Reinitializes neighbor(s) who didn't answer
Goes active on all routes known through bounced neighbor(s)
Re-advertises to bounced neighbor all routes that we were advertising

315
0912_04F9_c3

© 1999, Cisco Systems, Inc.

www.cisco.com

28

Likely Causes for Stuck-In-Active

- **Bad or congested links**
- **Query range is too long**
- **Excessive redundancy**
- **Router memory shortage**
- **Software defects (very seldom)**

315
0912_04F9_c3

© 1999, Cisco Systems, Inc.

www.cisco.com

29

Troubleshooting SIAs

- **Two parts—**stuck** and **active****
- **Need to troubleshoot both parts**
 - Cause of active often easier to find**
 - Cause of stuck more important to find**

315
0912_04F9_c3

© 1999, Cisco Systems, Inc.

www.cisco.com

30

Troubleshooting the Active Part of SIAs

- **Determine what is common to routes going active**
 - /32s from dial-in PPP?**
 - Flapping link(s)?**
 - From the same region of the network?**

315
0912_04F9_c3

© 1999, Cisco Systems, Inc.

www.cisco.com

31

Troubleshooting the Stuck Part of SIAs

- ***Show ip eigrp topology active***
 - Useful only while the problem is occurring**
 - If problem isn't occurring at the time, it is difficult to find the source of route getting stuck**

315
0912_04F9_c3

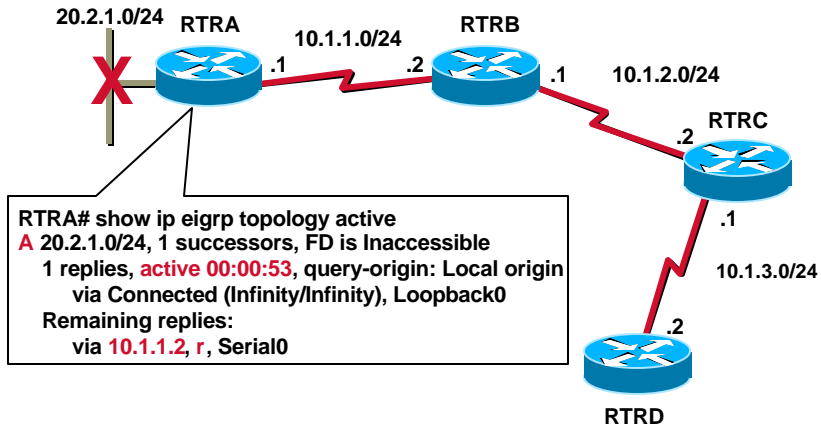
© 1999, Cisco Systems, Inc.

www.cisco.com

32

Chasing Active Routes— Example

Why Is RTRA Reporting SIA Routes?
Let's Look at a Problem in Progress...



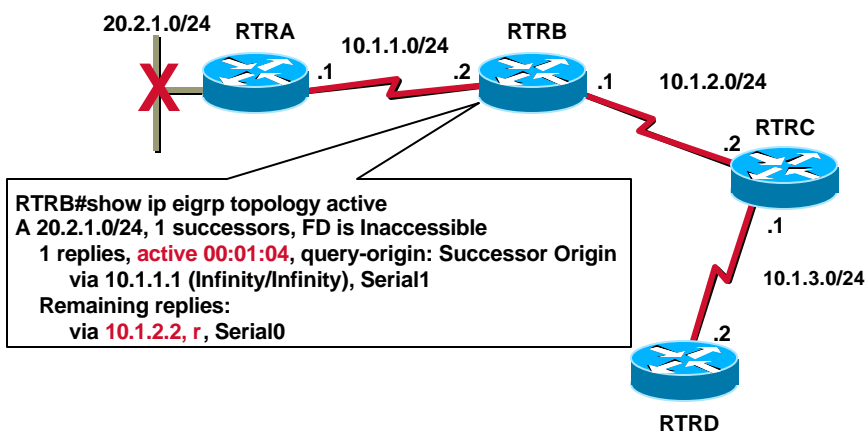
315
0912_04F9_c3

© 1999, Cisco Systems, Inc.

www.cisco.com

33

Chasing Active Routes (Cont.)



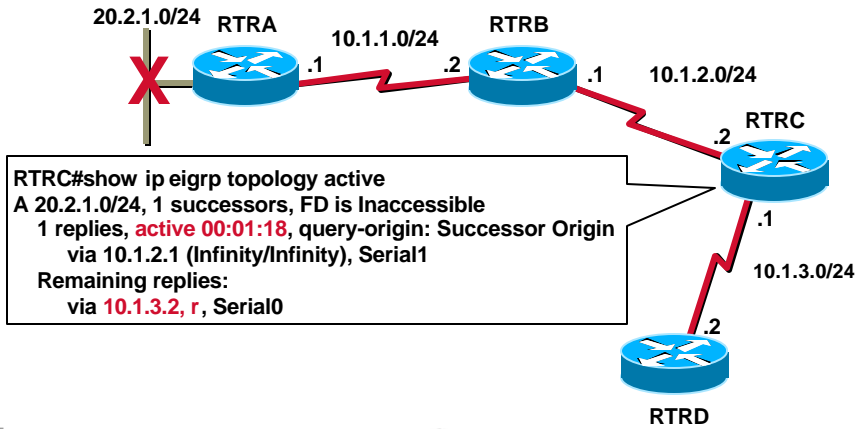
315
0912_04F9_c3

© 1999, Cisco Systems, Inc.

www.cisco.com

34

Chasing Active Routes (Cont.)



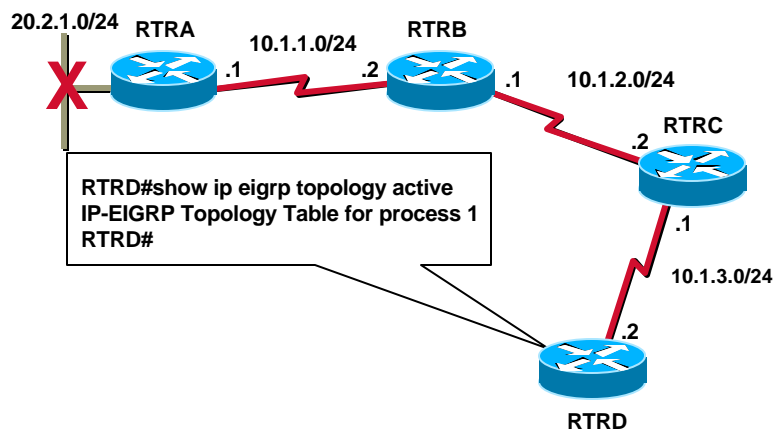
315
0912_04F9_c3

© 1999, Cisco Systems, Inc.

www.cisco.com

35

Chasing Active Routes (Cont.)



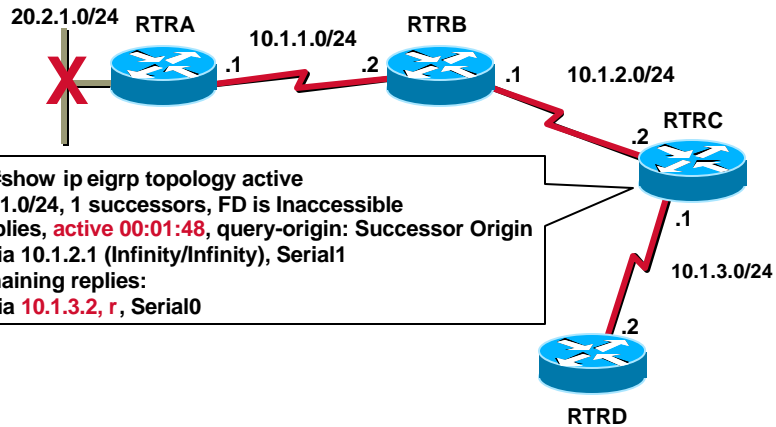
315
0912_04F9_c3

© 1999, Cisco Systems, Inc.

www.cisco.com

36

Chasing Active Routes (Cont.)



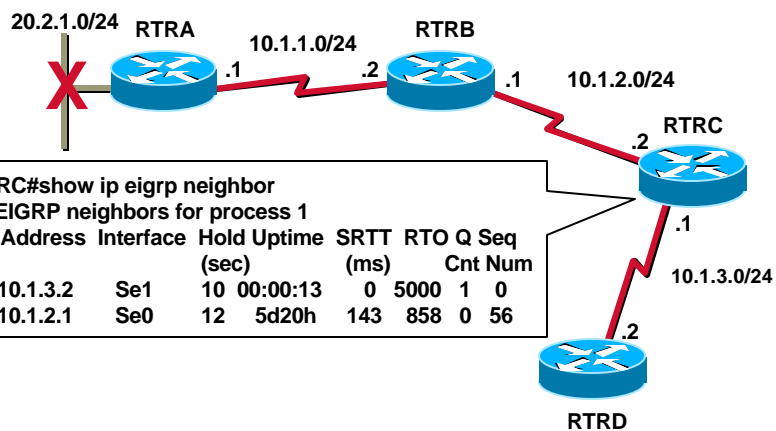
315
0912_04F9_c3

© 1999, Cisco Systems, Inc.

www.cisco.com

37

Chasing Active Routes (Cont.)



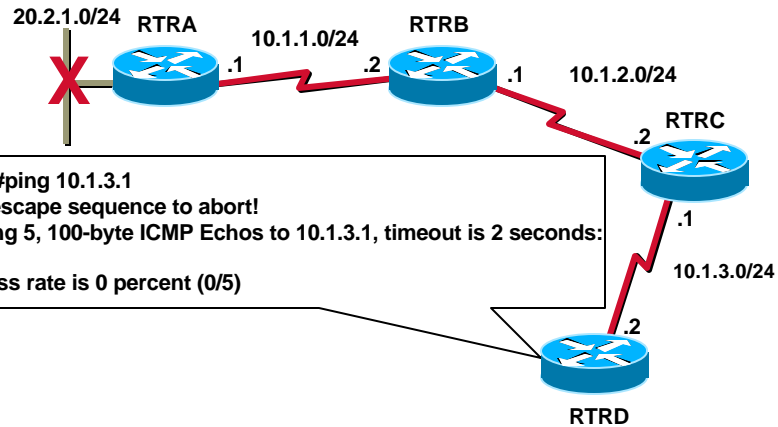
315
0912_04F9_c3

© 1999, Cisco Systems, Inc.

www.cisco.com

38

Chasing Active Routes (Cont.)



315
0912_04F9_c3

© 1999, Cisco Systems, Inc.

www.cisco.com

39

Troubleshooting the Stuck Part of SIAs (Cont.)

- It's not always this easy to find the cause
- Sometimes you chase the waiting neighbors in a circle
If so, summarize and simplify!

315
0912_04F9_c3

© 1999, Cisco Systems, Inc.

www.cisco.com

40

Minimizing SIA Routes

- **Decrease query scope**
 - Summarization (manual or auto)
 - Distribute-lists
 - Particularly on dual-homed remotes
 - Stub routers (future)

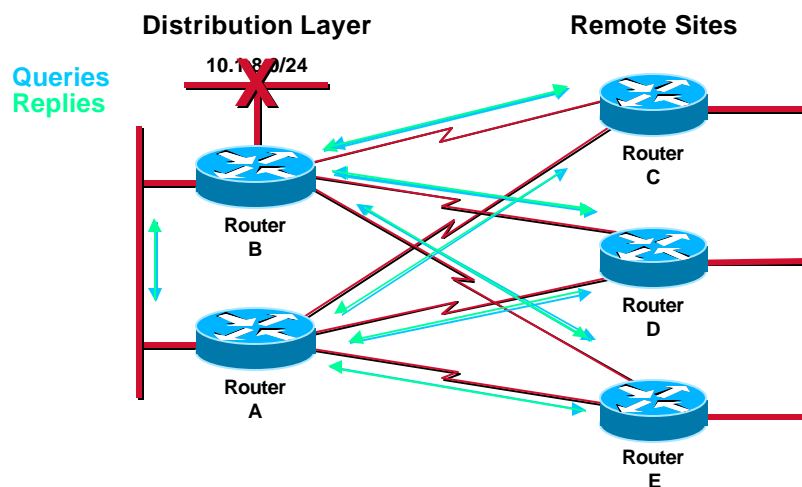
315
0912_04F9_c3

© 1999, Cisco Systems, Inc.

www.cisco.com

41

Decreasing Query Scope— Example



315
0912_04F9_c3

© 1999, Cisco Systems, Inc.

www.cisco.com

42

Decreasing Query Scope— Summary

- Remote routers are fully involved in convergence

Usually remote routers are not intended to be transit paths

Convergence is complicated through lack of information hiding

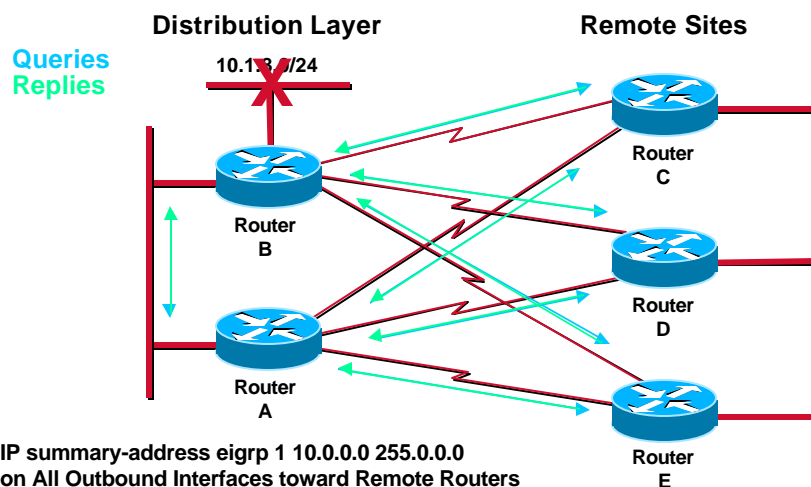
315
0912_04F9_c3

© 1999, Cisco Systems, Inc.

www.cisco.com

43

Decreasing Query Scope— A Little Better



315
0912_04F9_c3

© 1999, Cisco Systems, Inc.

www.cisco.com

44

Decreasing Query Scope— Summary

- **Convergence simplified**
 - Remotes immediately reply
 - Compound by number of remotes!
- **Even simpler with new stub feature**

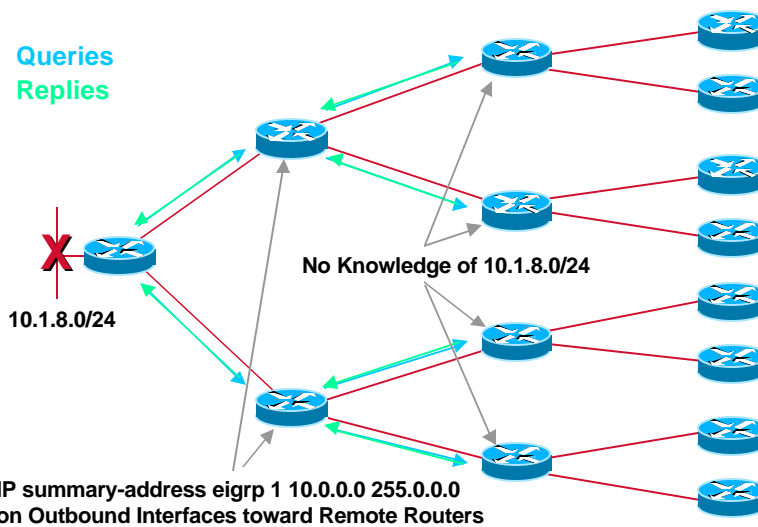
315
0912_04F9_c3

© 1999, Cisco Systems, Inc.

www.cisco.com

45

Decreasing Query Scope— Another Example



315
0912_04F9_c3

© 1999, Cisco Systems, Inc.

www.cisco.com

46

Minimizing SIA routes (Cont.)

- **Maintain reasonable redundancy**
 - Don't make EIGRP's job too difficult**
 - Use passive-interface**
 - Use hierarchy**

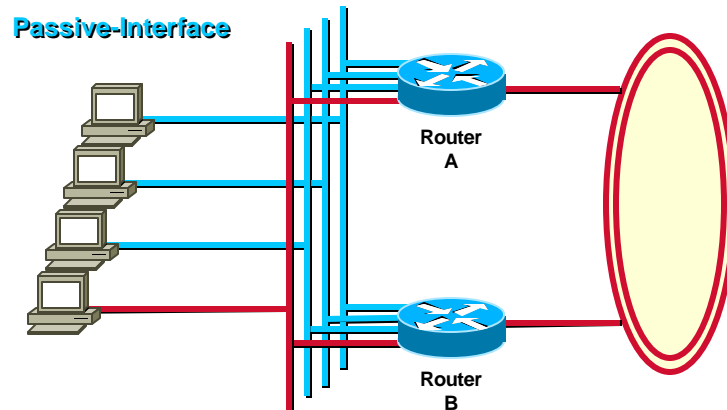
315
0912_04F9_c3

© 1999, Cisco Systems, Inc.

www.cisco.com

47

Removing Excessive Redundancy



315
0912_04F9_c3

© 1999, Cisco Systems, Inc.

www.cisco.com

48

Minimizing SIA Routes (Cont.)

- **Multiple EIGRP AS' are NOT the answer**

**Terminates original query,
but new one starts**

Adds redistribution complexity

**Requires distribute-lists to stop
routing loops**

315
0912_04F9_c3

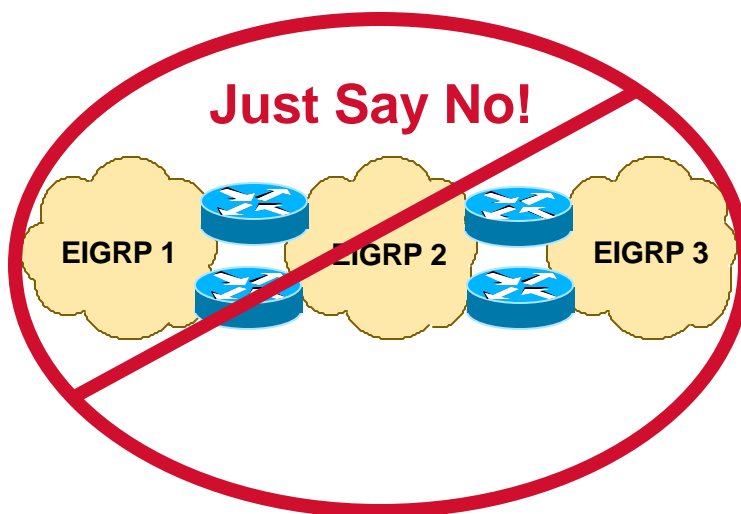
© 1999, Cisco Systems, Inc.

www.cisco.com

49

Multiple EIGRP AS'

Just Say No!



315
0912_04F9_c3

© 1999, Cisco Systems, Inc.

www.cisco.com

50

Workarounds for Low-Speed NBMA

- Use point-to-point subinterfaces instead
- Change the Active timer to 4-5 minutes (NOT recommended)
- Change the hello/hold timers to 30/90

315
0912_04F9_c3

© 1999, Cisco Systems, Inc.

www.cisco.com

53

Troubleshooting

- Neighbor relationship
- Stuck-in-active routes
- **High CPU**
- Troubleshooting tools

315
0912_04F9_c3

© 1999, Cisco Systems, Inc.

www.cisco.com

54

High CPU

Busy, Busy!

Here's a Big Chunk of It!

```
RTRA#show process cpu
CPU utilization for five seconds: 96%/35%; one minute: 91%; five minutes: 89%
PID Runtime(ms) Invoked uSecs 5Sec 1Min 5Min TTY Process
  1      60000 2484685   24 0.00% 0.00% 0.00% 0 Load Meter
  2 21595164 66420469  325 25.96% 9.23% 8.17% 0 IP-EIGRP Router
  3 30432980 414274 73461 0.00% 0.37% 0.29% 0 Check heaps
  4      1356 3043 445 0.00% 0.00% 0.00% 0 Pool Manager
  5         0 2 0 0.00% 0.00% 0.00% 0 Timers
  6         0 1 0 0.00% 0.00% 0.00% 0 OIR Handler
  7         0 1 0 0.00% 0.00% 0.00% 0 IPC Zone Manager
  8         0 1 0 0.00% 0.00% 0.00% 0 IPC Realm Manager
  9      2856 621291 4 0.00% 0.00% 0.00% 0 IPC Seat Manager
 10 2582920 6744442 382 0.16% 0.01% 0.00% 0 ARP Input
 11         0 1 0 0.00% 0.00% 0.00% 0 SERIAL A'detect
```

315
0912_04F9_c3

© 1999, Cisco Systems, Inc.

www.cisco.com

55

High CPU (Cont.)

Unstable Neighbors!

```
RTRA#sh ip eigrp neighbor
IP-EIGRP neighbors for process 1
H   Address          Interface   Hold Uptime   SRTT  RTO  Q  Seq
                               (sec)      (ms)          (ms)      Cnt Num
11  10.1.15.181        Fd5/0      14 00:00:03   414  2484 35 309
26  10.1.15.145        Fd5/0      14 00:01:10   102   612  1 495
17  10.1.15.130        Fd5/0      14 00:01:13   220  1320  2 241
. . . More unstable neighbors
RTRA#
Neighbor 10.1.1.1 (Ethernet0) is down: holding time expired
```

315
0912_04F9_c3

© 1999, Cisco Systems, Inc.

www.cisco.com

56

High CPU (Cont.)

```
RTRA#show interface fddi 5/0
Fddi5/0 is up, line protocol is up
  Hardware is cxBus FDDI, address is aa00.0400.e9ab (bia 0060.2faa.0da0)
  Description: Core FDDI Ring
  Internet address is 10.1.15.1/24
  MTU 4470 bytes, BW 100000 Kbit, DLY 100 usec, rely 255/255, load 23/255
  Encapsulation SNAP, loopback not set, keepalive not set
  ARP type: SNAP, ARP Timeout 04:00:00
  Phy-A state is active, neighbor is M, cmt signal bits 008/00E, status ILS
  Phy-B state is connect, neighbor is unk, cmt signal bits 20C/000, status QLS
  ECM is in, CFM is c_wrap_a, RMT is ring_op
  Requested token rotation 5000 usec, negotiated 5000 usec
  Configured tvx is 2500 usec ring operational 00:05:57
  Upstream neighbor aa00.0400.eeab, downstream neighbor 0060.5c5e.bc08
  Last input 00:00:00, output 00:00:00, output hang never
  Last clearing of "show interface" counters 5w0d
  Queueing strategy: fifo
  Output queue 0/40, 168 drops; input queue 1/500, 102863 drops
```

315
0912_04F9_c3

© 1999, Cisco Systems, Inc.

www.cisco.com

57

High CPU (Cont.)

- **Show ip eigrp events**
 - Route(s) flapping?
 - Routing loop?
 - Find what activity is taking CPU and resolve it!

315
0912_04F9_c3

© 1999, Cisco Systems, Inc.

www.cisco.com

58

Troubleshooting

- Neighbor relationship
- Stuck-in-active routes
- High CPU
- **Troubleshooting tools**

315
0912_04F9_c3

© 1999, Cisco Systems, Inc.

www.cisco.com

59

EIGRP Troubleshooting Tools

- **Debugs and the EIGRP event log**
 - On a busy, unstable network debugs can be hazardous to your health!**
 - Event log is non-disruptive—already running!**
 - Not for mere mortals to interpret!**

315
0912_04F9_c3

© 1999, Cisco Systems, Inc.

www.cisco.com

60

Event Log

- Always running (unless manually disabled)
- Default 500 lines (configurable)
- Most recent events at top of log

315
0912_04F9_c3

© 1999, Cisco Systems, Inc.

www.cisco.com

61

Event Log (Cont.)

- Three different event types can be logged

*EIGRP log-event-type
[dual][xmit][transport]*

Default is dual—most useful

Any combination of the three can be on at the same time

315
0912_04F9_c3

© 1999, Cisco Systems, Inc.

www.cisco.com

62

Event Log (Cont.)

```
RTRA#show ip eigrp events
```

```
Event information for AS 1:
```

```
1 12:49:43.605 Poison squashed: 10.1.2.0/24 reverse
2 12:49:43.553 Change queue emptied, entries: 1
3 12:49:43.553 Metric set: 10.1.2.0/24 21536000
4 12:49:43.553 Update reason, delay: new if 4294967295
5 12:49:43.553 Update sent, RD: 10.1.2.0/24 4294967295
6 12:49:43.553 Update reason, delay: metric chg 4294967295
7 12:49:43.553 Update sent, RD: 10.1.2.0/24 4294967295
8 12:49:43.553 Route install: 10.1.2.0/24 10.1.6.2
9 12:49:43.553 Find FS: 10.1.2.0/24 4294967295
10 12:49:43.553 Rcv update met/succmet: 21536000 21024000
11 12:49:43.553 Rcv update dest/nh: 10.1.2.0/24 10.1.6.2
12 12:49:43.553 Metric set: 10.1.2.0/24 4294967295
```

315
0912_04F9_c3

© 1999, Cisco Systems, Inc.

www.cisco.com

63

SIA Event Log

- **Show ip eigrp sia**

Snapshot of event log when SIA occurs

**Typically lets you know results of SIA,
not the cause**

Seldom useful

315
0912_04F9_c3

© 1999, Cisco Systems, Inc.

www.cisco.com

64

Debugs

- **Remember—can be dangerous!**
Use only in the lab or
If advised by the TAC
- **To make a little safer:**
logging buffered <size>
no logging console

315
0912_04F9_c3

© 1999, Cisco Systems, Inc.

www.cisco.com

65

Debugs (Cont.)

- **Use modifiers to limit scope of route events or packet debugs**
debug ip eigrp AS network mask
debug ip eigrp neighbor AS address

315
0912_04F9_c3

© 1999, Cisco Systems, Inc.

www.cisco.com

66

Debug IP Eigrp (Route Events)

```
RTRA#debug ip eigrp
IP-EIGRP Route Events debugging is on
RTRA#debug ip eigrp neighbor 1 10.1.6.2
IP Neighbor target enabled on AS 1 for 10.1.6.2
IP-EIGRP Neighbor Target Events debugging is on
RTRA#clear ip eigrp neighbor
RTRA#
*Mar 17 15:50:53.244: IP-EIGRP: 10.1.6.0/24 - do advertise out Serial1/2
*Mar 17 15:50:53.244: IP-EIGRP: Int 10.1.6.0/24 metric 20512000 -20000000 512000
*Mar 17 15:50:53.244: IP-EIGRP: 10.1.8.0/24 - do advertise out Serial1/2
*Mar 17 15:50:53.244: IP-EIGRP: Int 10.1.8.0/24 metric 28160 - 256002560
*Mar 17 15:50:53.244: IP-EIGRP: 10.1.7.0/24 - do advertise out Serial1/2
*Mar 17 15:50:53.244: IP-EIGRP: 10.1.1.0/24 - do advertise out Serial1/2
*Mar 17 15:50:53.244: IP-EIGRP: Int 10.1.1.0/24 metric 28160 - 25600256
*Mar 17 15:50:53.668: IP-EIGRP: Processing incoming UPDATE packet
*Mar 17 15:50:54.544: IP-EIGRP: 10.1.6.0/24 - do advertise out Serial1/1
```

315
0912_04F9_c3

© 1999, Cisco Systems, Inc.

www.cisco.com

67

Debug IP Eigrp (Cont.)

```
RTRA#debug ip eigrp
IP-EIGRP Route Events debugging is on
RTRA#debug ip eigrp 1 10.1.7.0 255.255.255.0
IP Target enabled on AS 1 for 10.1.7.0/24
IP-EIGRP AS Target Events debugging is on
RTRA#clear ip eigrp neighbor
RTRA#
*Mar 17 15:52:20.940: IP-EIGRP: 10.1.7.0/24 - do advertise out Serial1/2
*Mar 17 15:52:22.684: IP-EIGRP: 10.1.7.0/24 - do advertise out Serial1/1
*Mar 17 15:52:22.684: IP-EIGRP: Int 10.1.7.0/24 metric 20512000 20000000 512000
*Mar 17 15:52:22.940: IP-EIGRP: 10.1.7.0/24 - do advertise out Serial1/2
*Mar 17 15:52:22.968: IP-EIGRP: Processing incoming UPDATE packet
*Mar 17 15:52:24.684: IP-EIGRP: 10.1.7.0/24 - do advertise out Serial1/1
*Mar 17 15:52:24.684: IP-EIGRP: Int 10.1.7.0/24 metric 20512000 - 20000000 512000
*Mar 17 15:52:25.940: IP-EIGRP: 10.1.7.0/24 - do advertise out Serial1/2
```

315
0912_04F9_c3

© 1999, Cisco Systems, Inc.

www.cisco.com

68

Debug eigrp packet <type>

RTRA#**debug eigrp packet ?**

ack	EIGRP ack packets
hello	EIGRP hello packets
ipxsap	EIGRP ipxsap packets
probe	EIGRP probe packets
query	EIGRP query packets
reply	EIGRP reply packets
request	EIGRP request packets
retry	EIGRP retransmissions
terse	Display all EIGRP packets except Hellos
update	EIGRP update packets
verbose	Display all EIGRP packet

315
0912_04F9_c3

© 1999, Cisco Systems, Inc.

www.cisco.com

69

Debug IP Eigrp Packet Terse

RTRA#**debug eigrp packet terse**

EIGRP Packets debugging is on

(UPDATE, REQUEST, QUERY, REPLY, IPXSAP, PROBE, ACK)

RTRA#

*Mar 17 15:54:39.768: EIGRP: Enqueueing UPDATE on Serial1/2 nbr 10.1.7.2 iidbQ un/rely 0/1 peerQ un/rely 0/0 serno 25-105

*Mar 17 15:54:39.772: EIGRP: Requeued unicast on Serial1/2

*Mar 17 15:54:39.772: EIGRP: Forcing multicast xmit on Serial1/2

*Mar 17 15:54:39.772: EIGRP: Sending UPDATE on Serial1/2 nbr 10.1.7.2

*Mar 17 15:54:39.772: AS 1, Flags 0x1, Seq 305/0 idbQ 0/0 iidbQ un/rely 0/0 peerQ un/rely

315
0912_04F9_c3


© 1999, Cisco Systems, Inc.

www.cisco.com

70

Debug IP EIGRP Notifications

```
rp-esc-2621b#debug ip eigrp notifications
IP-EIGRP Event notification debugging is on
rp-esc-2621b#clear ip route *
rp-esc-2621b#
*Mar 17 15:58:07.144: IP-EIGRP: Callback: reload_iptable
*Mar 17 15:58:08.148: IP-EIGRP: iptable_redistribute into eigrp AS 1
*Mar 17 15:58:12.144: IP-EIGRP: Callback: redist frm static AS 0 100.100.100.0/24
*Mar 17 15:58:12.144:      into: eigrp AS 1 event: 1
*Mar 17 15:58:12.144: IP-EIGRP: Callback: redist frm static AS 0 200.200.200.0/24
*Mar 17 15:58:12.144:      into: eigrp AS 1 event: 1
```

**Redistributed
Route**


315
0912_04F9_c3

© 1999, Cisco Systems, Inc.

www.cisco.com

71

Debug Eigrp FSM

```
RTRA#debug eigrp fsm
EIGRP FSM Events/Actions debugging is on
RTRA#clear ip route *
RTRA#
*Mar 17 15:59:04.972: DUAL: Find FS for dest 10.1.8.0/24. FD is 28160, RD is 28160
*Mar 17 15:59:04.972: DUAL: 0.0.0.0 metric 28160/0 found Dmin is 28160
*Mar 17 15:59:04.976: DUAL: Find FS for dest 10.1.3.0/24. FD is 21024000, RD is 21024000
*Mar 17 15:59:04.976: DUAL: 10.1.6.2 metric 21024000/2169856 found Dmin is 21024000
*Mar 17 15:59:04.976: DUAL: RT installed 10.1.3.0/24 via 10.1.6.2
*Mar 17 15:59:04.976: DUAL: Find FS for dest 10.1.2.0/24. FD is 21536000, RD is 21536000
```

315
0912_04F9_c3

© 1999, Cisco Systems, Inc.

www.cisco.com

72

Debug IP Eigrp Summary

```
RTRA# debug ip eigrp summary
IP-EIGRP Summary route processing debugging is on
RTRA#
*Mar 17 16:01:06.164: IP-EIGRP: conn_summary_depend: Loopback0 20.20.20.0/24 0
*Mar 17 16:01:06.164: IP-EIGRP: summary_depend: 20.20.20.0/24 0 128256
*Mar 17 16:01:06.168: IP-EIGRP: summary_revise: 20.0.0.0/8 0 128256
*Mar 17 16:01:06.168: IP-EIGRP: summary_revise: Metric now 128256, result 2
*Mar 17 16:01:06.168: IP-EIGRP: process_summary: 20.0.0.0/8 1
*Mar 17 16:01:07.460: %SYS-5-CONFIG_I: Configured from console by console
*Mar 17 16:01:08.164: %LINK-5-CHANGED: Interface Loopback0, changed state to
administratively down
```

Summary
Changed

This Is Why!

315
0912_04F9_c3

© 1999, Cisco Systems, Inc.

www.cisco.com

73

Agenda

- Troubleshooting
- **New features**

315
0912_04F9_c3

© 1999, Cisco Systems, Inc.

www.cisco.com

74

New Features

- **Classless network statements**
- **Neighbor control**
- **Stub routers**

315
0912_04F9_c3

© 1999, Cisco Systems, Inc.

www.cisco.com

75

Classless Network Statements

```
router eigrp 1
network 10.1.0.0 0.0.255.255
network 192.31.0.0 0.0.255.255
```

- **Allows supernetted interfaces**
- **Granular control of interfaces included in EIGRP**

315
0912_04F9_c3

© 1999, Cisco Systems, Inc.

www.cisco.com

76

Neighbor Control

```
router eigrp 1
[no] eigrp neighbor auto-discovery [interface]
[no] neighbor A.B.C.D
```

- Supports non-broadcast media (Classical IP on ATM)
- Permits explicit definition of neighbors

315
0912_04F9_c3

© 1999, Cisco Systems, Inc.

www.cisco.com

77

Stub Routers

```
Router eigrp 1
stub [connected][static][summary][receive-only]
```

- Defined on remote routers
- Restricts route advertisement to connected, static, summary, or none
- Queries are not propagated to stub routers

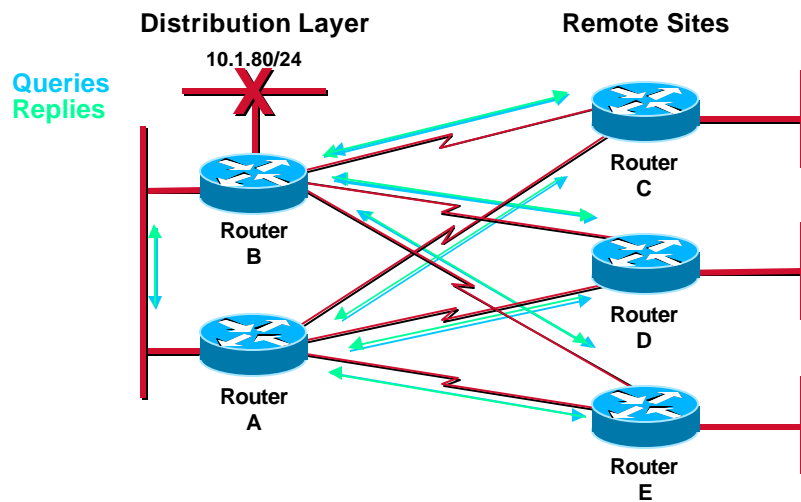
315
0912_04F9_c3

© 1999, Cisco Systems, Inc.

www.cisco.com

78

Decreasing Query Scope—Example



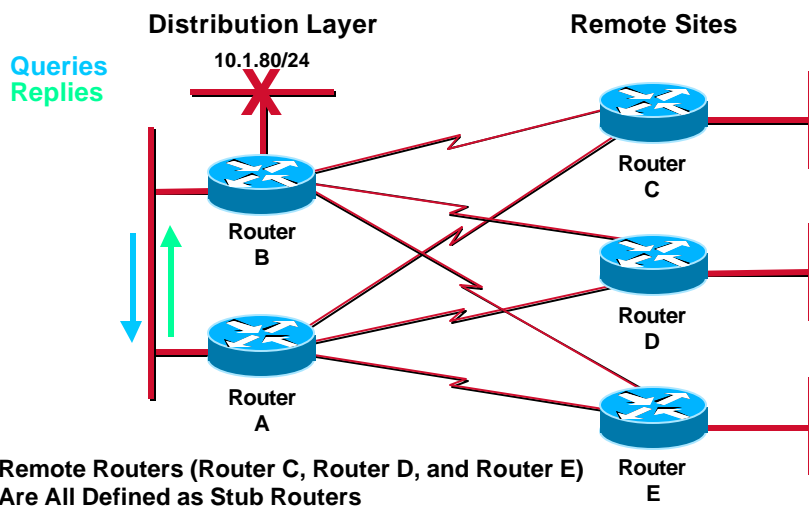
315
0912_04F9_c3

© 1999, Cisco Systems, Inc.

www.cisco.com

79

Decreasing Query Scope—Stub Remotes



315
0912_04F9_c3

© 1999, Cisco Systems, Inc.

www.cisco.com

80

Advanced EIGRP Summary

- **There are many tools in EIGRP for troubleshooting network problems**
- **New features will further improve EIGRP scalability and flexibility**

315
0912_04F9_c3

© 1999, Cisco Systems, Inc.

www.cisco.com

81

Questions?



315
0912_04F9_c3

© 1999, Cisco Systems, Inc.

www.cisco.com

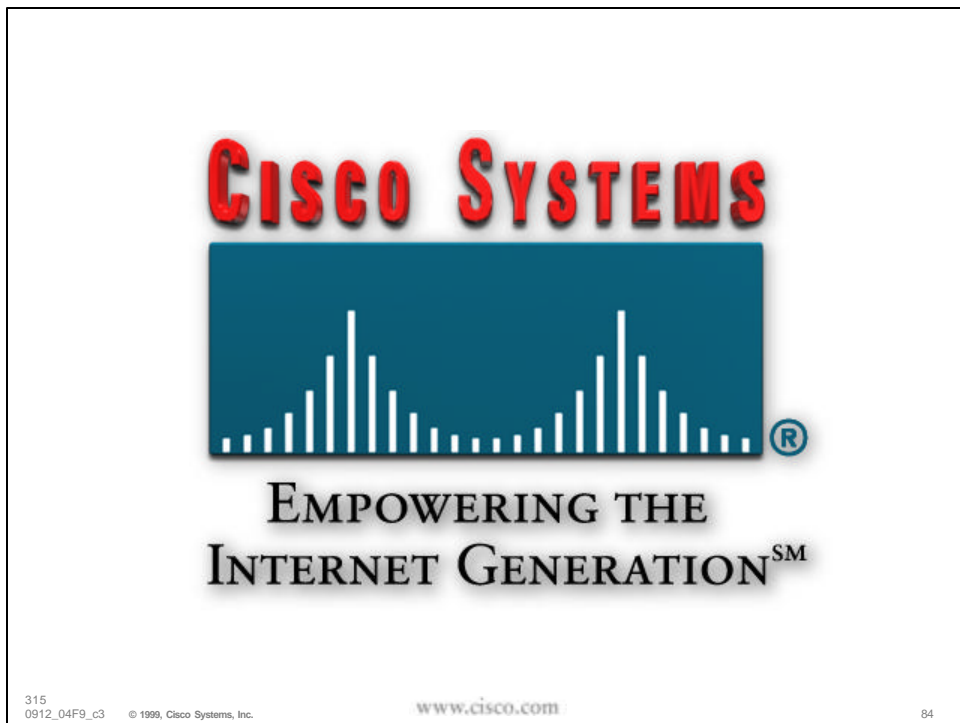
82



**Please Complete Your
Evaluation Form**

Session 315

315
0912_04F9_c3 © 1999, Cisco Systems, Inc. www.cisco.com 83



CISCO SYSTEMS

EMPOWERING THE
INTERNET GENERATIONSM

315
0912_04F9_c3 © 1999, Cisco Systems, Inc. www.cisco.com 84